



# OPERATING MANUAL

*A*sens<sup>+</sup> Home Series | Air+Surface Sterilizer

# CONTENTS

---



<b>SAFETY PRECAUTIONS .....</b>	<b>1</b>
<b>DEVICE IDENTIFICATION .....</b>	<b>3</b>
<b>GETTING STARTED .....</b>	<b>6</b>
<b>OPERATION .....</b>	<b>7</b>
<b>SAFETY FEATURE .....</b>	<b>8</b>
<b>MAINTENANCE &amp; SERVICE .....</b>	<b>9</b>
<b>TROUBLESHOOTING GUIDE .....</b>	<b>13</b>
<b>SPECIFICATIONS .....</b>	<b>14</b>

Congratulations on your purchase of the **Medklinn Asens+ Air+Surface Sterilizer!** It incorporates the most innovative and latest air+surface cleaning technology, the Cerafusion™ Technology. Please read the following instructions carefully before using the unit. With a little care, it will provide you with many years of clean, fresh and healthy living spaces.

**! WARNINGS - TO REDUCE THE RISK OF ELECTRICAL SHOCK, FIRE OR INJURY:**

1. Do not use the unit if the power cable or plug is damaged.
2. Do not insert any sharp or pointed object through the ventilation holes of the unit.
3. Do not let children play with the unit.
4. Do not immerse the unit in water, or allow water or any fluids to enter through the ventilation holes.
5. When removing the power plug, always hold the plug and never pull the cable.
6. Do not remove the power plug when your hands are wet.
7. Remove the power plug from the wall socket before cleaning the unit.
8. Do not modify, disassemble or repair this unit by yourself.
9. Do not replace the electric plug or cut the power cable. Replacing the plug or cutting the power cable in any way will immediately cause the Warranty to become void. Any subsequent fault in the operation of the unit will not be covered by the Warranty, and repair and servicing will be chargeable.
10. If the power cable is damaged, it must be sent to Medklinn Service Centre for repair.
11. Do not attempt to open the unit. The unit requires minimal maintenance, and no servicing or repairs are to be carried out by the User. Opening the device or tampering with it in any way will cause the Warranty to become void. If you encounter any problems with the unit, please read the Troubleshooting Guide first, and if the problem persists, please contact Medklinn Service Centre.
12. Do not wipe the unit with benzene or paint thinner.

**READ AND SAVE THESE INSTRUCTIONS.  
FOR FURTHER ASSISTANCE, PLEASE CALL OUR CUSTOMER SERVICE.**



## **NOTE - RADIO OR TV INTERFERENCE:**

If the unit should cause interference to radio or television reception, try to correct the interference by one or more of the following measures:

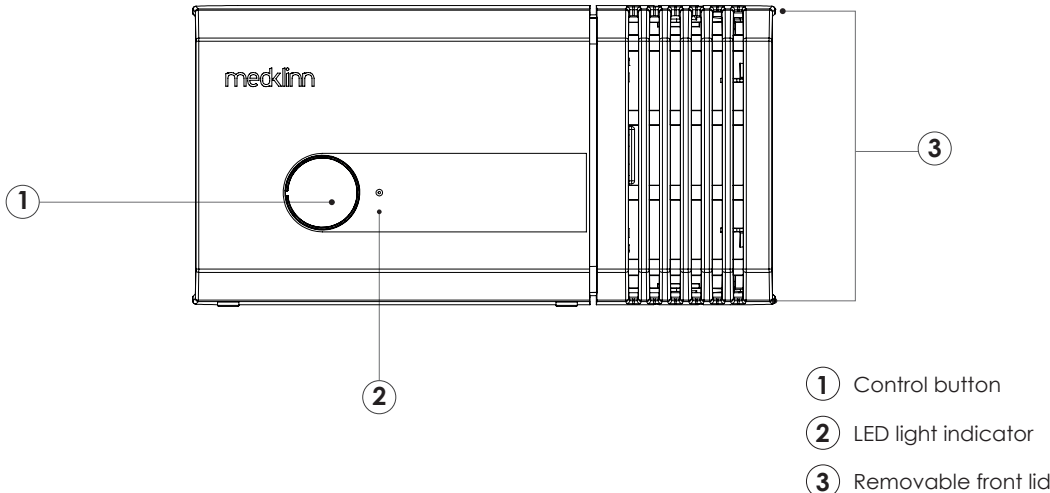
- Reorient or relocate the receiving antenna.
- Increase the distance between the unit and radio/TV receiver.
- Connect the equipment into an outlet on a circuit different from that to which the receiver is connected.
- Consult the dealer or an experienced radio/TV technician for help.



## **CAUTIONS DURING OPERATION**

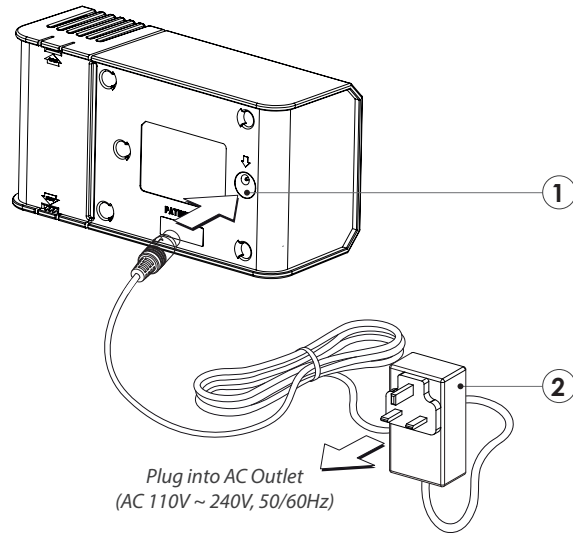
1. Place the unit at least 6 feet from radio, television or electronic equipment. This is to minimize the possibility of interference with the equipment or the remote controller.
2. Do not cover the unit in any way at all, particularly the ventilation holes. Doing so will cause excessive heat build-up and may result in a fire and irreparable damage to the unit.
3. Avoid placing the unit where curtains or other furnishings may cover the ventilation holes.
4. Avoid placing the unit in oily environments as it may cause the cartridge to be coated with a thicker layer of grease/debris. Hence, affecting its performance.
5. Ensure that there is free flow of air around the unit.
6. Avoid locations where the unit is exposed to condensation due to rapid and drastic temperature fluctuations. The unit should only be used in temperatures between 5°-35°C.
7. Effective cleaning by active oxygen requires adequate air exchange as they are created from oxygen. Regular air exchange will take place if the door or window is opened occasionally.
8. Do not use in small enclosed spaces where there is no or poor air circulation e.g. in wardrobes, closets or pantries.
9. Active oxygen is very reactive, and there may be some loss of paint from poorly painted surfaces. To minimize this, do not place the unit directly against walls or other painted surfaces, and leave a space of at least one (1) foot from these surfaces.
10. It is NOT recommended to place the unit directly too close to pets.

**ASENS+ 20 & 40**  
*(Front View)*

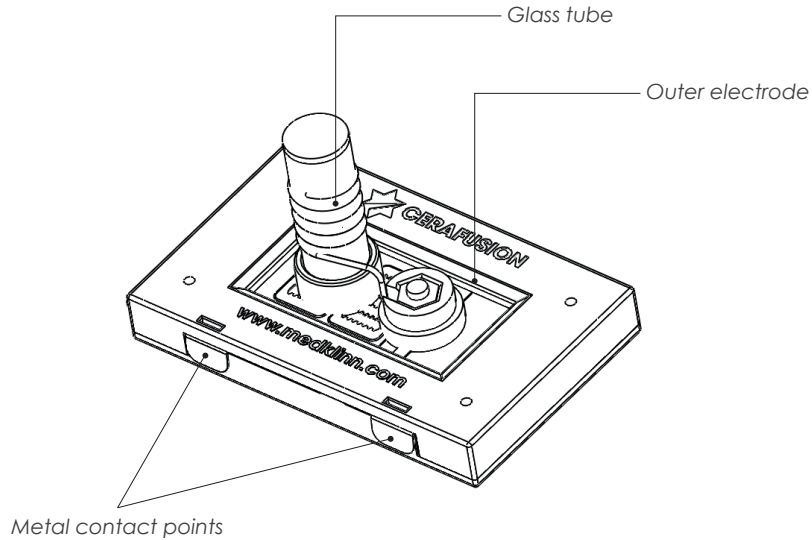


## ASENS<sup>+</sup> 20 & 40 (Back View)

- ① Power inlet
- ② Adaptor

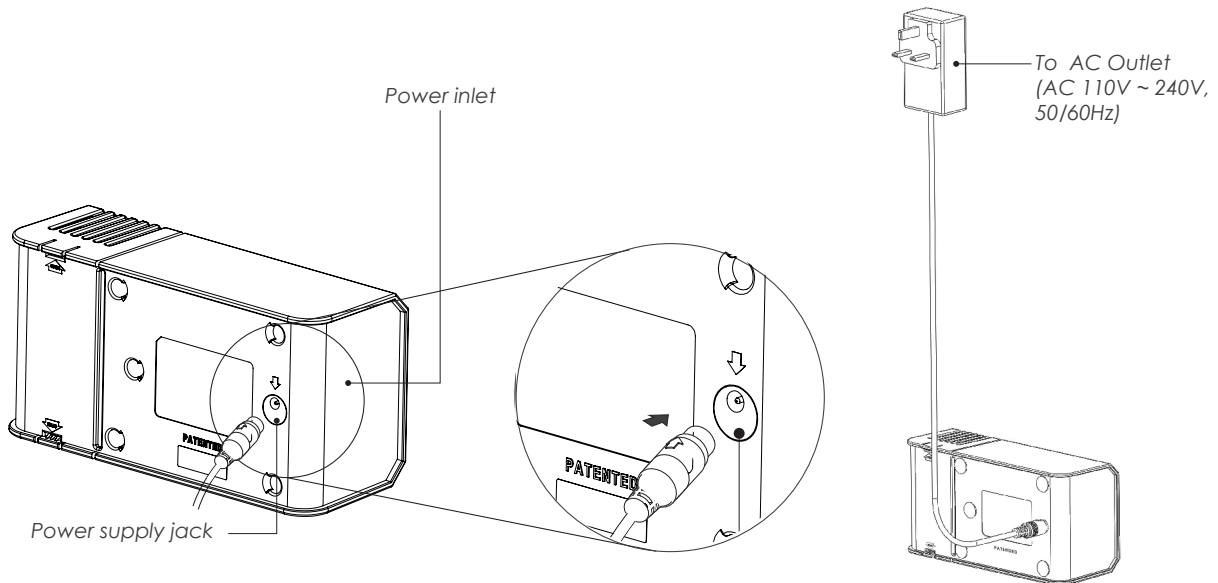


CERAFUSION™ CARTRIDGE



### TO TURN THE UNIT ON:

1. Plug in the power supply jack into the power inlet.
2. Plug in the adaptor into 110V~240V AC power outlet.



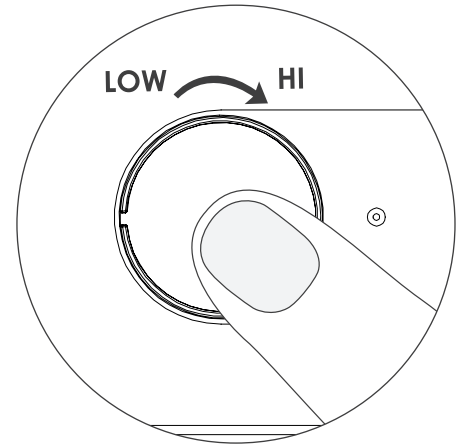
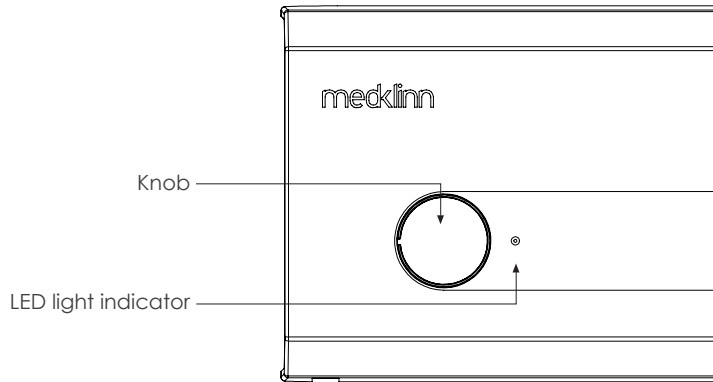


## TO ADJUST TO HIGH:

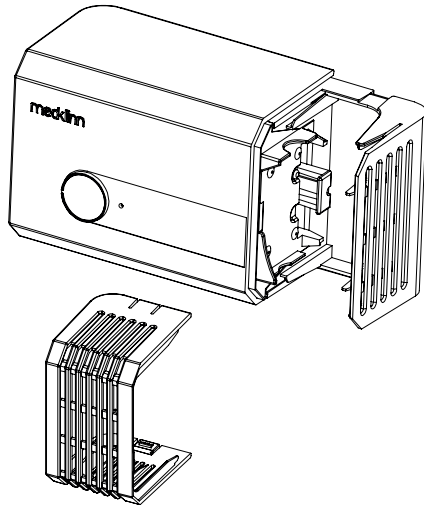
Turn the knob clockwise until it stops.

## TO ADJUST TO LOW:

Turn the knob counter clockwise until it stops.



When the front lid is closed, the unit will restore to its previous setting.



### CAUTION

A safety feature is incorporated to prevent electrical shock.

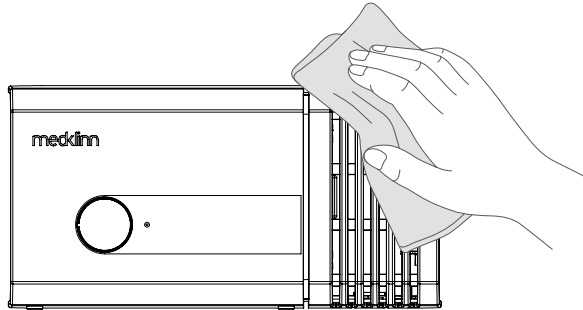
In the event the front lid is detached while the unit is still operating, the LED light will become unlit. This indicates the power to the Cerafusion™ Cartridge has been cut off.

### CLEANING OF DEVICE

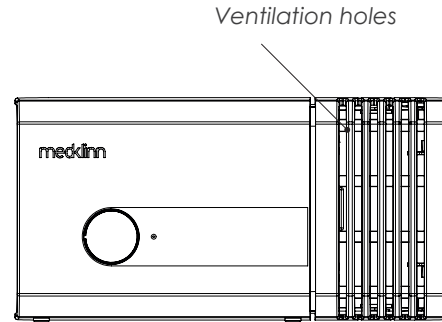
#### **CAUTION: SWITCH OFF AND UNPLUG THE UNIT BEFORE CLEANING**

Due to water evaporation and accumulation of fine dust or other pollutants, there may be some stains around the ventilation holes.

#### **CLEANING THE EXTERNAL PART OF DEVICE:**

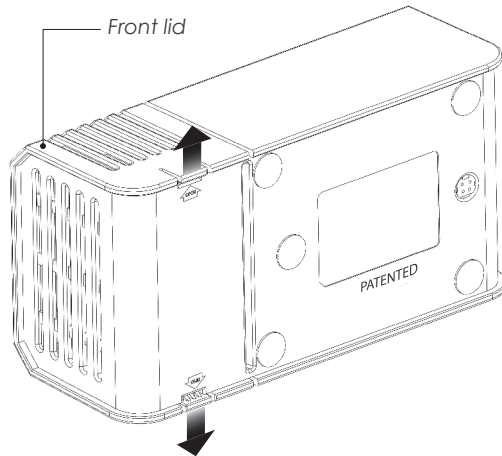


Wipe the device gently with a slightly damp cloth.

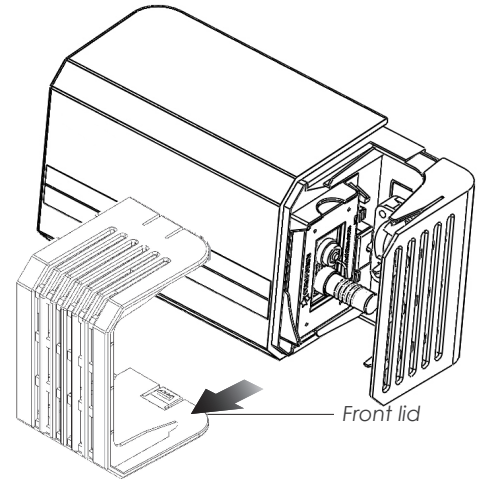


Ensure ventilation holes are not clogged with dust or dirt.

CLEANING THE INTERNAL PART OF DEVICE:



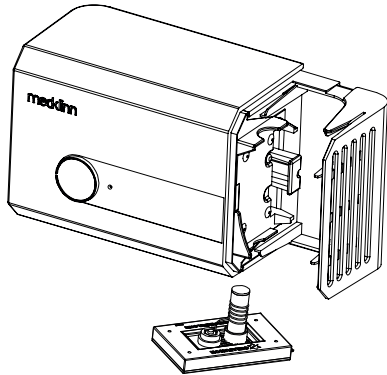
**Step 1:** Push the latch outward slightly to open the front lid.



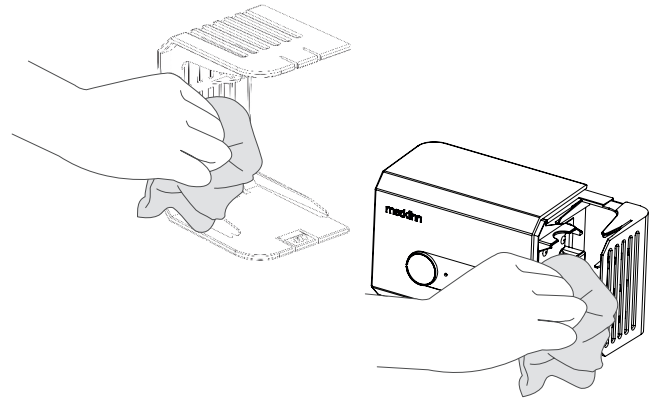
**Step 2:** Pull out the front lid.

**!** CAUTION:

THE CERAFUSION™ CARTRIDGE COULD BE HOT. BE CAREFUL WHEN REMOVING IT.



**Step 3:** Remove the Cerafusion™ Cartridge.



**Step 4:** Clean the front lid and internal surfaces with a slightly damp cloth.

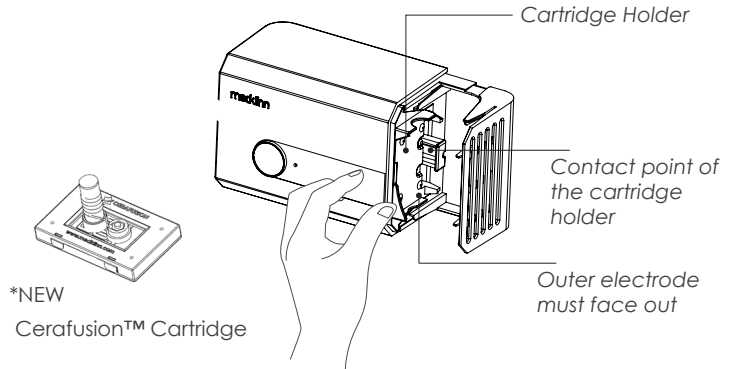
### REPLACING CERAFUSION™ CARTRIDGE *(recommended every 12 months)*

#### **!** CAUTION:

1. ENSURE THAT THE UNIT IS SWITCHED OFF BEFORE REPLACING CARTRIDGE TO AVOID ELECTRICAL SHOCK.
2. DO NOT HOLD THE GLASS TUBE WHEN HANDLING THE CARTRIDGE.
3. DO NOT TURN OR TWIST THE GLASS TUBE AS IT WILL DAMAGE OR CRACK THE GLASS.

#### IMPORTANT NOTE:

If the living space is more dusty or dirty, you may need to change the cartridge more often.



1. **I have switched on the unit, but the LED light is not lit and there is no hissing sound.**

First, check that the power supply jack is properly inserted to the unit and that the adaptor is connected to the power outlet and switched on. Second, make sure the front lid is properly closed. If the LED light is still unlit, contact Medklinn Service Centre to have the unit serviced.

2. **I have dropped the unit. Is it safe to continue using it?**

First, carefully check the whole unit to make sure there are no cracks or breaks externally and internally. Next, check the glass tube of the cartridge to make sure it is not cracked or broken. If there is any component damage, contact Medklinn Service Centre.

3. **There is a “hissing” sound coming from the unit. Is this normal?**

Yes. It is normal. The “hissing” sound indicates that the Cerafusion™ Cartridge is generating active oxygen.

4. **I have switched on the unit, the LED lights are lit, but there is no “hissing” sound coming from the unit.**

First, check if the Cerafusion™ Cartridge is properly inserted into the cartridge holder. If there is still no “hissing” sound after cleaning, replace a new cartridge or contact Medklinn Service Centre to have the unit serviced.

## SPECIFICATIONS

MODEL	ASENS+ 20	ASENS+ 40
Input Voltage to adapter	110 ~ 240v AC, 50/60 Hz	
Output Current (max) from adapter	1.5 Amp @ 12 VDC	
Power Consumption	< 5.5 watts	
Functions	Low / Mid / High	
Dimensions (mm)	195(W) x 101(H) x 76(D)	
Operating Environment	Temperature 5° - 35°C	
Coverage Area*	Up to 200 square feet	Up to 400 square feet
Weight (unit + power supply)	750 grams	
Warranty	1 year limited	

\* 1) Depending on the pollution level. 2) Ceiling height of 9 feet. 3) Refer to the recommended setting for different coverage area.