

PRO AS180

USER MANUAL



TABLE OF CONTENTS

1. Safety Precautions	3
2. Device Identification	6
3. Parts Identification	8
4. Installation	9
5. Operation	14
6. Service and Maintenance	15

SAFETY PRECAUTIONS

WARNINGS - To reduce the risk of electrical shock, fire or injury:

1. Do not use the device if the power cable or plug is damaged.
2. Do not insert any sharp or pointed object through the ventilation holes or any holes of the device.
3. Do not let unauthorized personnel to play with the device.
4. Do not immerse the device in water or allow water or any fluids through the ventilation holes or any holes of the device.
5. When removing the power plug, always hold the plug and never pull the cable.
6. Do not remove the power plug when your hands are wet.
7. Remove the power plug from the wall socket before cleaning the device.
8. International plugs must have proper grounding wire connected to the device.
9. Do not modify, disassemble, or repair this device without proper training and consulting the manual beforehand. Opening the device or tampering with it in any way without proper training will void the warranty. If you encounter any problem with the device, please contact the nearest authorized Medklinn Service Center.
10. Do not replace the electric plug or cut the power cable. Replacing the plug or cutting the power cable in any way will immediately cause the warranty to become void. Any subsequent fault in operation of the device will not be covered by the warranty, and repair and maintenance service will be chargeable.
11. If the power cable is damaged, contact an authorized Medklinn Service Center for repairs immediately.
12. Do not wipe the device with benzene or paint thinner.

FOR FURTHER ASSISTANCE, PLEASE CONTACT AN AUTHORIZED MEDKLINN SERVICE CENTRE.

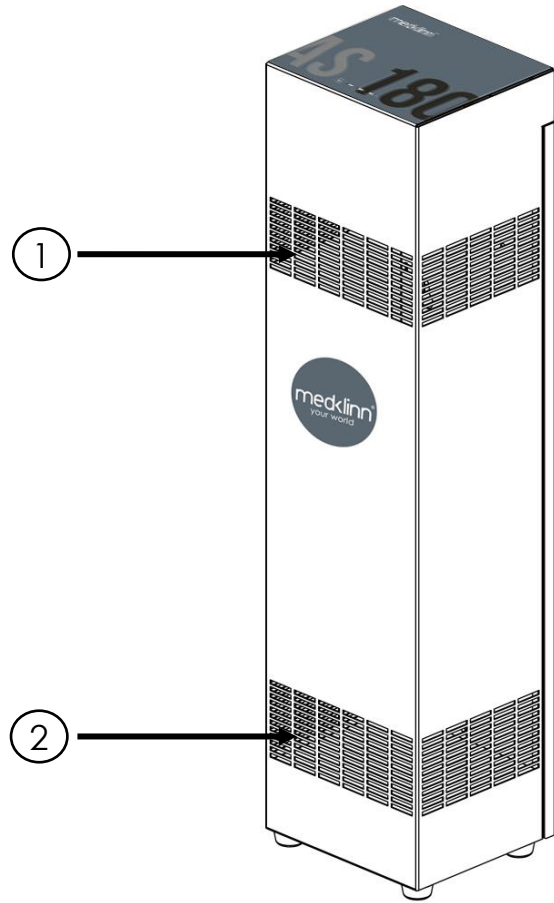
⚠️ NOTE – RISK OF INTERFERENCE AND OTHER POSSIBLE DISRUPTIONS:

1. If the device interferes or disrupts with other electronic equipment and/or machineries, attempt one or more of the following measures:
 - Relocate or increase the distance between the device and the electronic equipment and/or machineries.
 - Connect the electronic equipment and/or machineries into a separate outlet different from the device.
 - Consult the dealer or experienced electronic equipment and/or machineries' technician for help.
2. Place the device at least 6 feet from any electronic equipment and/or machineries. This is to minimize the possibility of interference or other possible disruptions with the electronic equipment and/or machineries.
3. If both the device and other electronic equipment and/or machineries cannot be relocated, do perform regular checking on both the device and other electronic equipment and/or machineries to ensure no interference and other possible disruptions occur.

CAUTIONS DURING OPERATION

1. Do not cover the device in any way at all, particularly the ventilation holes. Doing so will cause excessive heat build-up and may result in a fire or irreparable damage to the device.
2. Avoid placing the device where curtains or other furnishings may cover the ventilation holes or any holes of the device.
3. Avoid placing the device in oily environment as it may cause the module to be coated with a thicker layer of grease/debris. Hence, affecting its performance.
4. Ensure that there is free flow of air around the device.
5. Avoid locations where the device is exposed to condensation due to rapid and drastic temperature fluctuations. The device should only be used in temperatures between 5°C-35°C.
6. Active Oxygen is very reactive, hence oxidation may occur on surfaces such as painted, chrome and glossy surfaces. To minimize this, do not place the device directly against walls or other surfaces, and leave a space of at least two (2) feet around these surfaces.
7. Place the device at a location where it is not reachable for pets.

DEVICE IDENTIFICATION

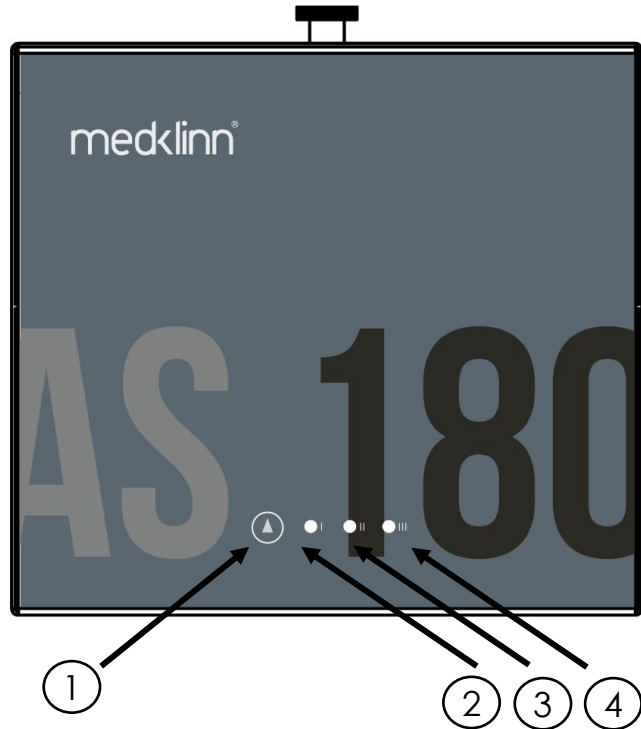


PRO AS180 (Front View)

Functional Parts

1	Ventilation Holes (Air Inlet)	Air inlet from environment.
2	Ventilation Holes (Active Oxygen Outlet)	Active Oxygen is disbursed through the outlet.

DEVICE IDENTIFICATION



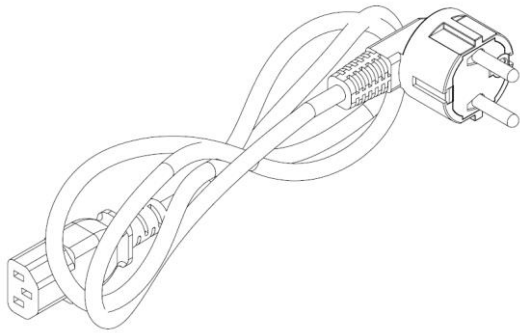
PRO AS180 (Top View)

Functional Parts

1	Control Button	To select operation mode.
2	LED light I	Operation mode LOW.
3	LED light II	Operation mode MID.
4	LED light III	Operation mode HIGH.

PARTS IDENTIFICATION

①

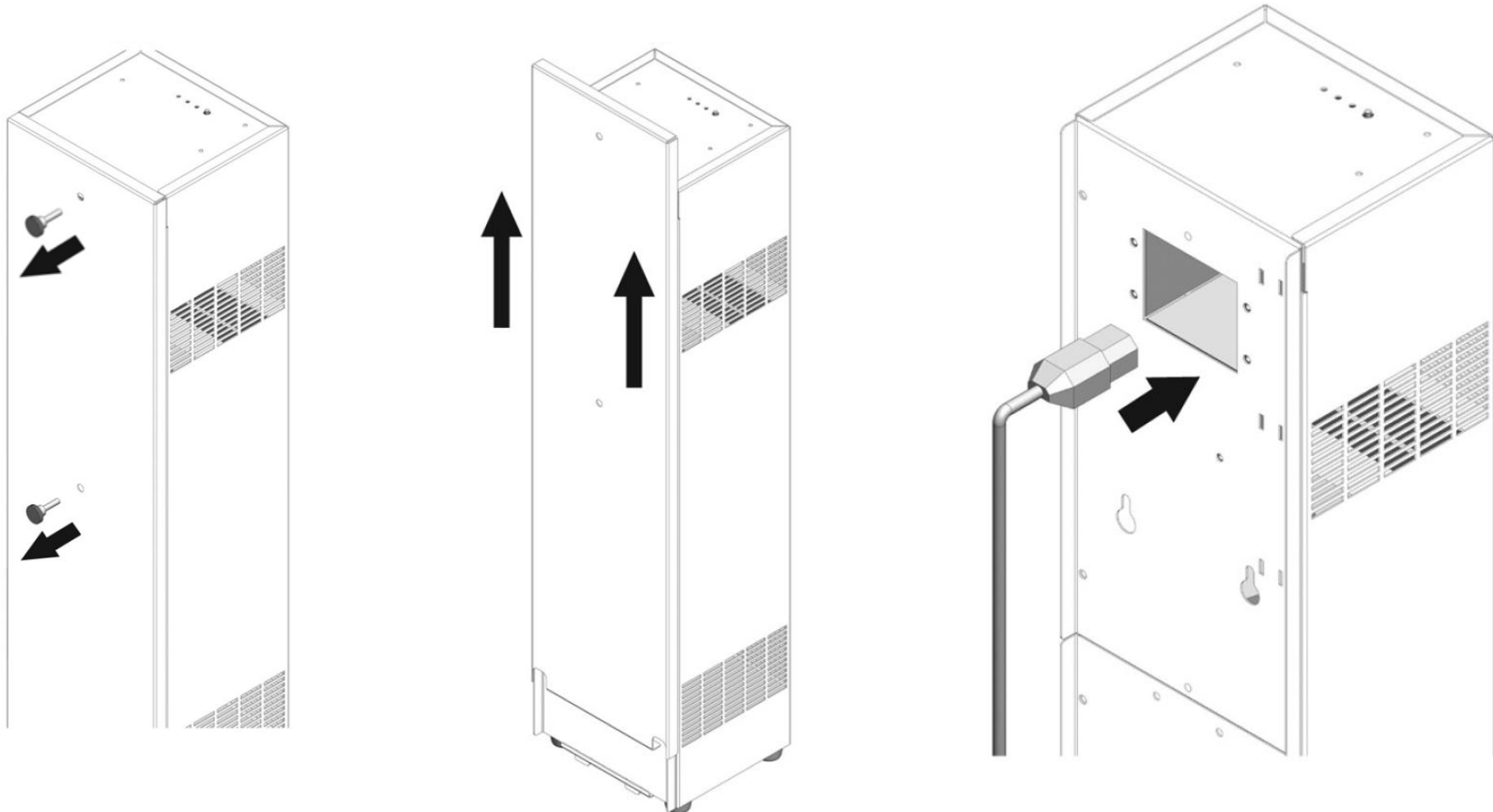


Functional Parts

1	Power Cord Cable (2.5m)
---	--------------------------------

INSTALLATION

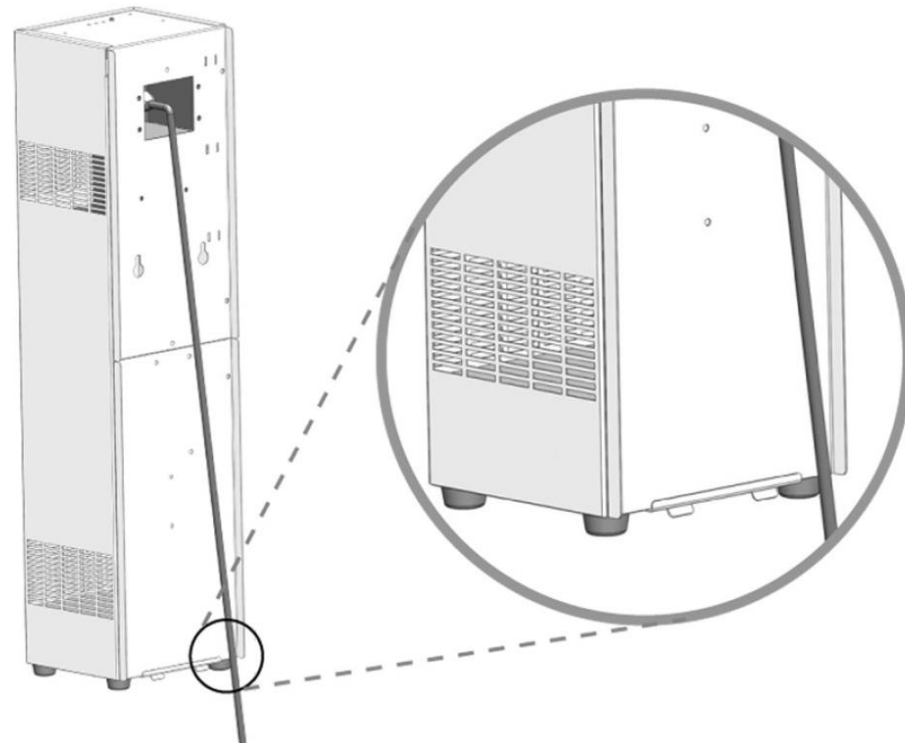
1. Remove the back cover screws and remove the back cover by pushing it up.
2. Insert the power cord cable to the device's plug point.



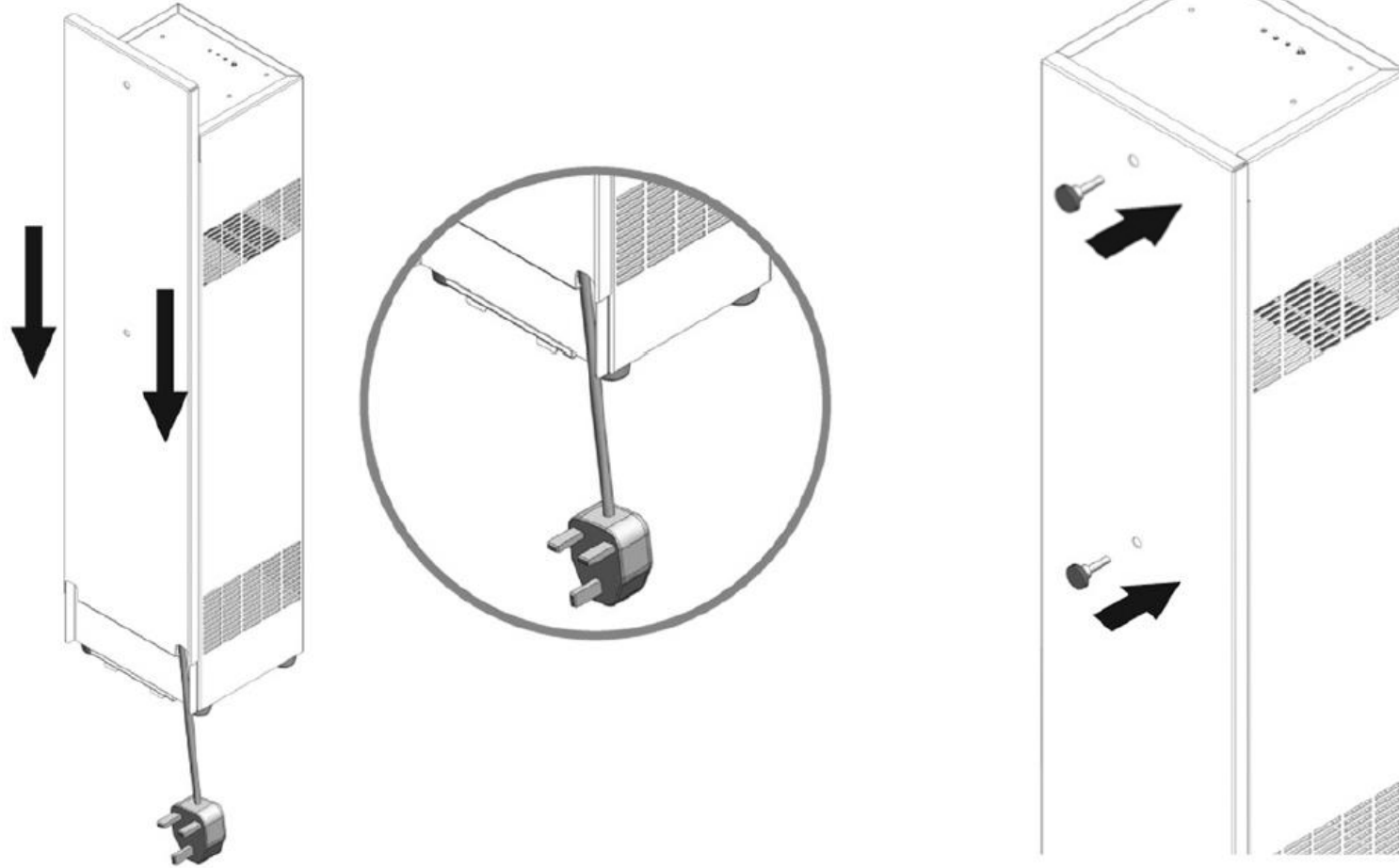
3. Installation methods:-
 - A. Standalone on the floor (Page 10-11).
 - B. Mounted on the wall (Page 12).

A. STANDALONE ON THE FLOOR

1. Align the power cord cable with the edge as circled below.

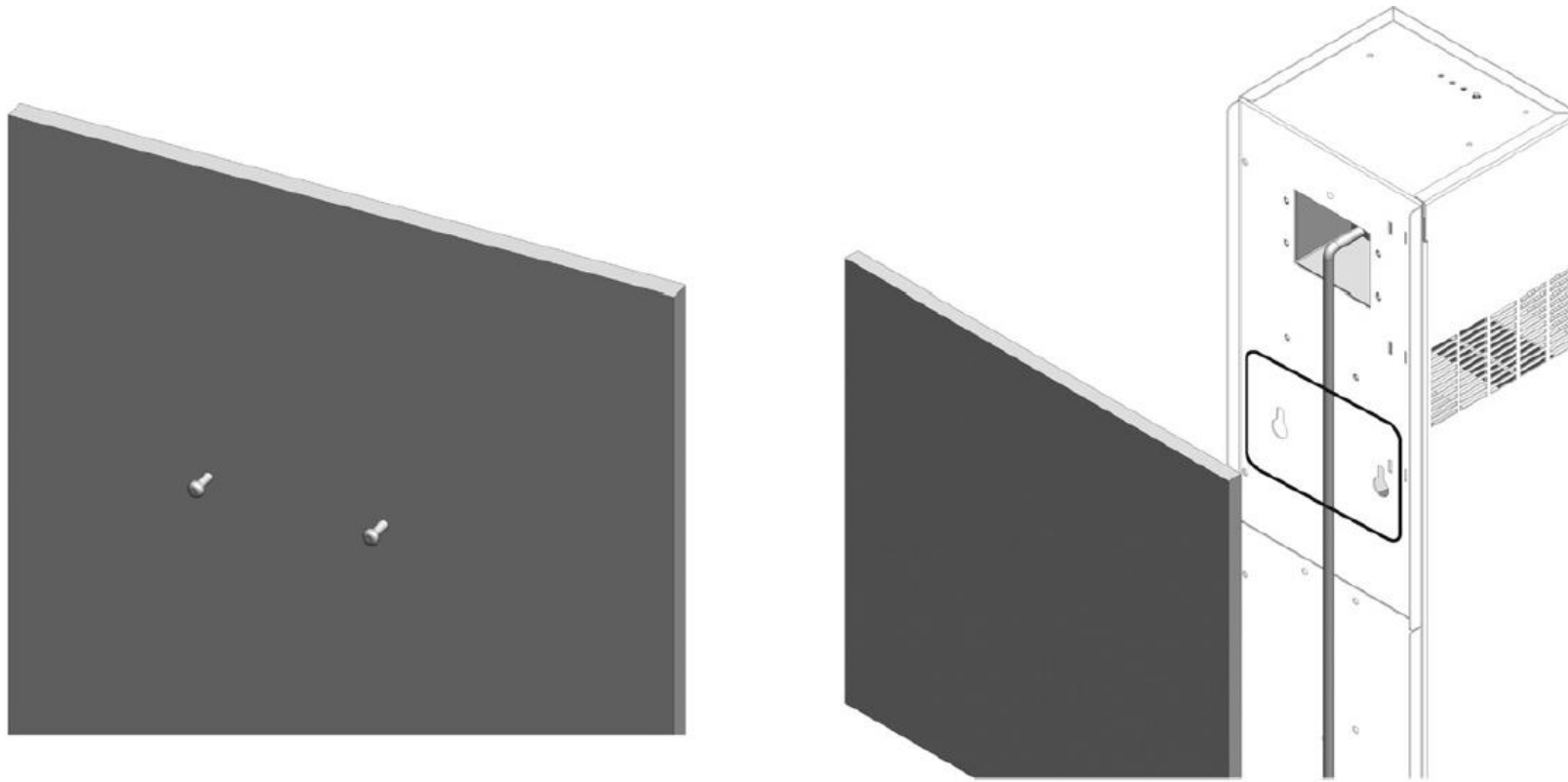


2. Slot the back cover back in, align the power cord cable to exit from the slot of the back casing and fasten the back cover screw.



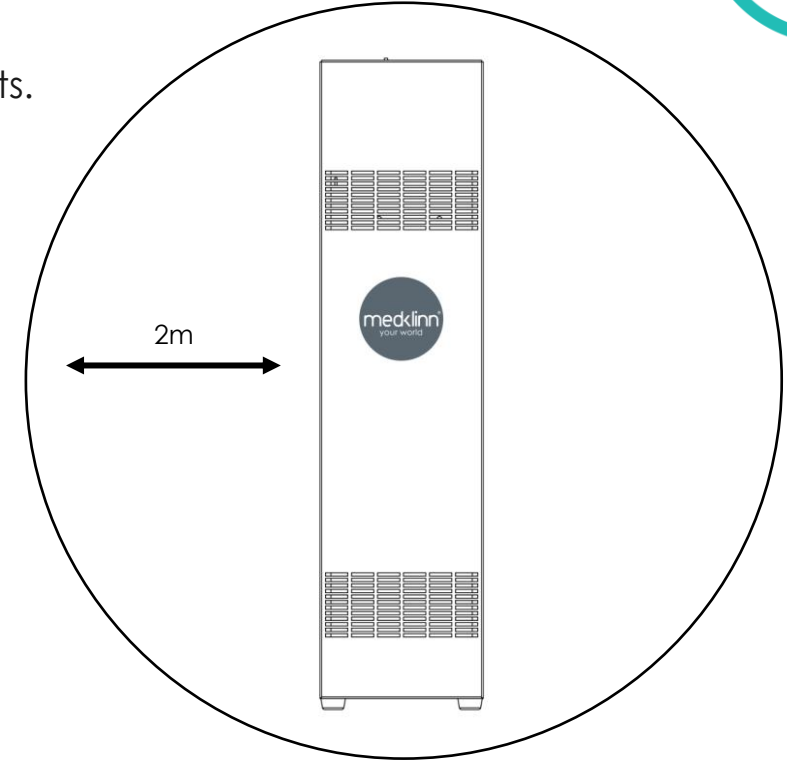
B. MOUNTED ON THE WALL

1. Fix 2 pieces 4mm diameter self-taping screws onto the wall with 79mm apart.
2. Mount the device to the self tapping screws on the wall.

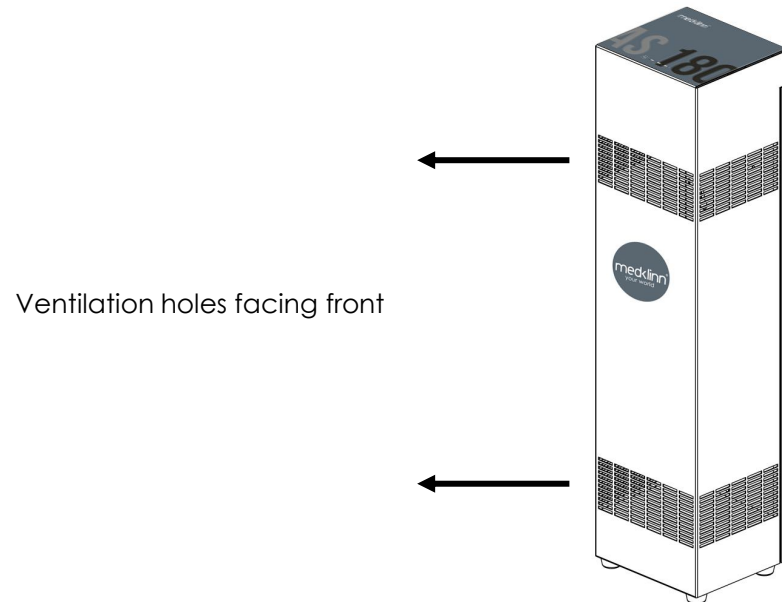


4. Installation guides:-

A. Device needs a minimum clearance radius of 2m from any objects.

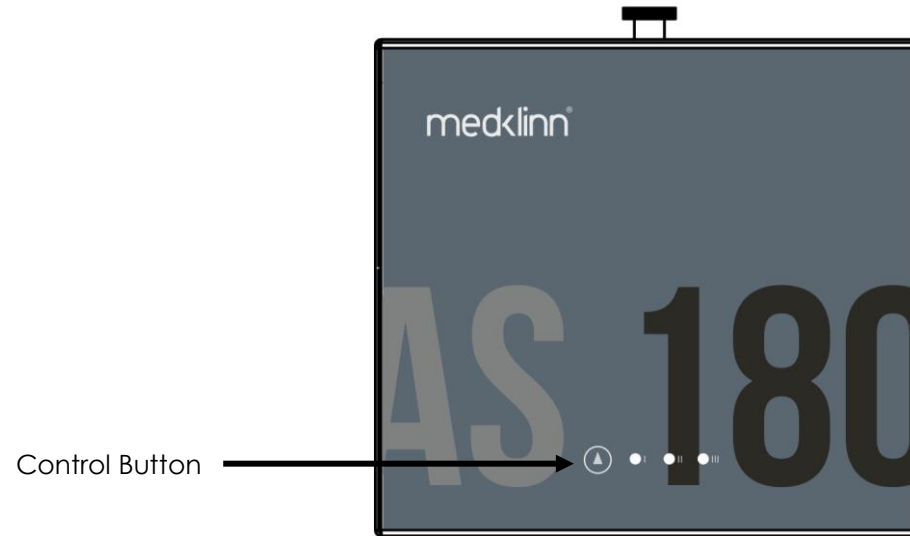


B. Device's ventilation holes must be facing the front.



OPERATION

1. Turn on the device's power point, when the device is powered up, LED light I will light up by default.



2. Press the control button to advance to the next mode (LOW/MID/HIGH).
3. To activate iKlinn function, press the control button for approximately 3 seconds until the LED lights blink and vice versa. Press the button again to advance to the next iKlinn mode (1hr/2hr/3hr).

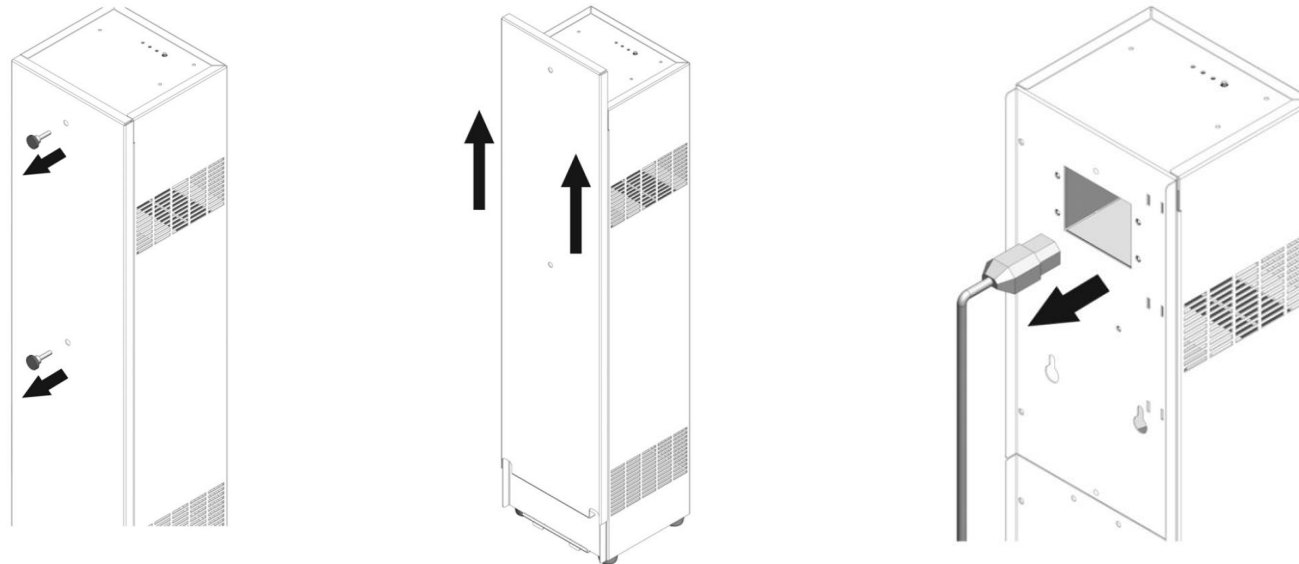
SERVICE AND MAINTENANCE

1. To maintain its optimal performance, cleaning of module and filter is recommended every **3 to 6 months**.

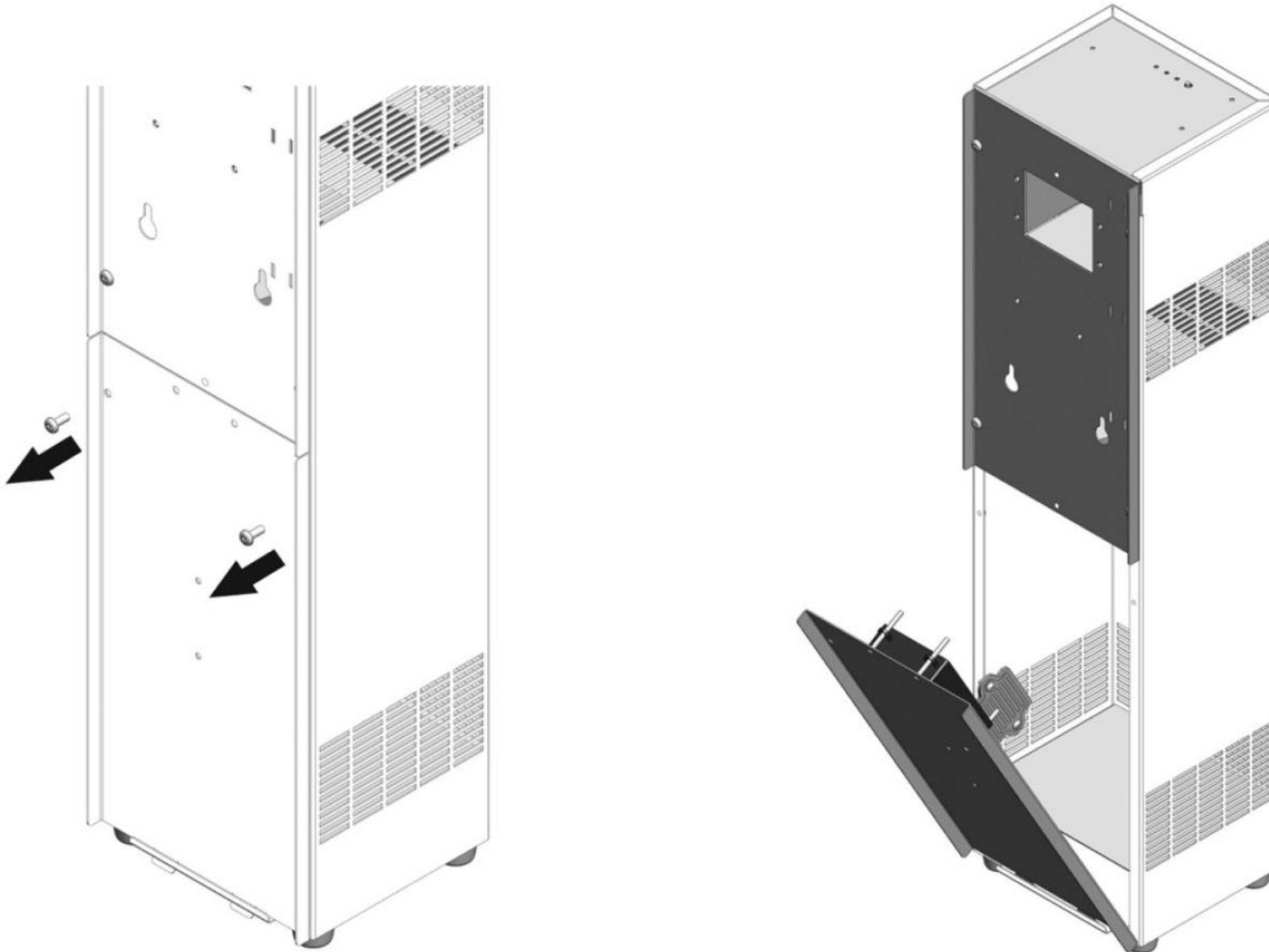
NOTE: Frequent cleaning is advised if the device is placed in environment with higher humidity (e.g., >70% relative humidity). As this will result in oxidation residue build up on the module and affect its performance.

A. Cleaning of Module

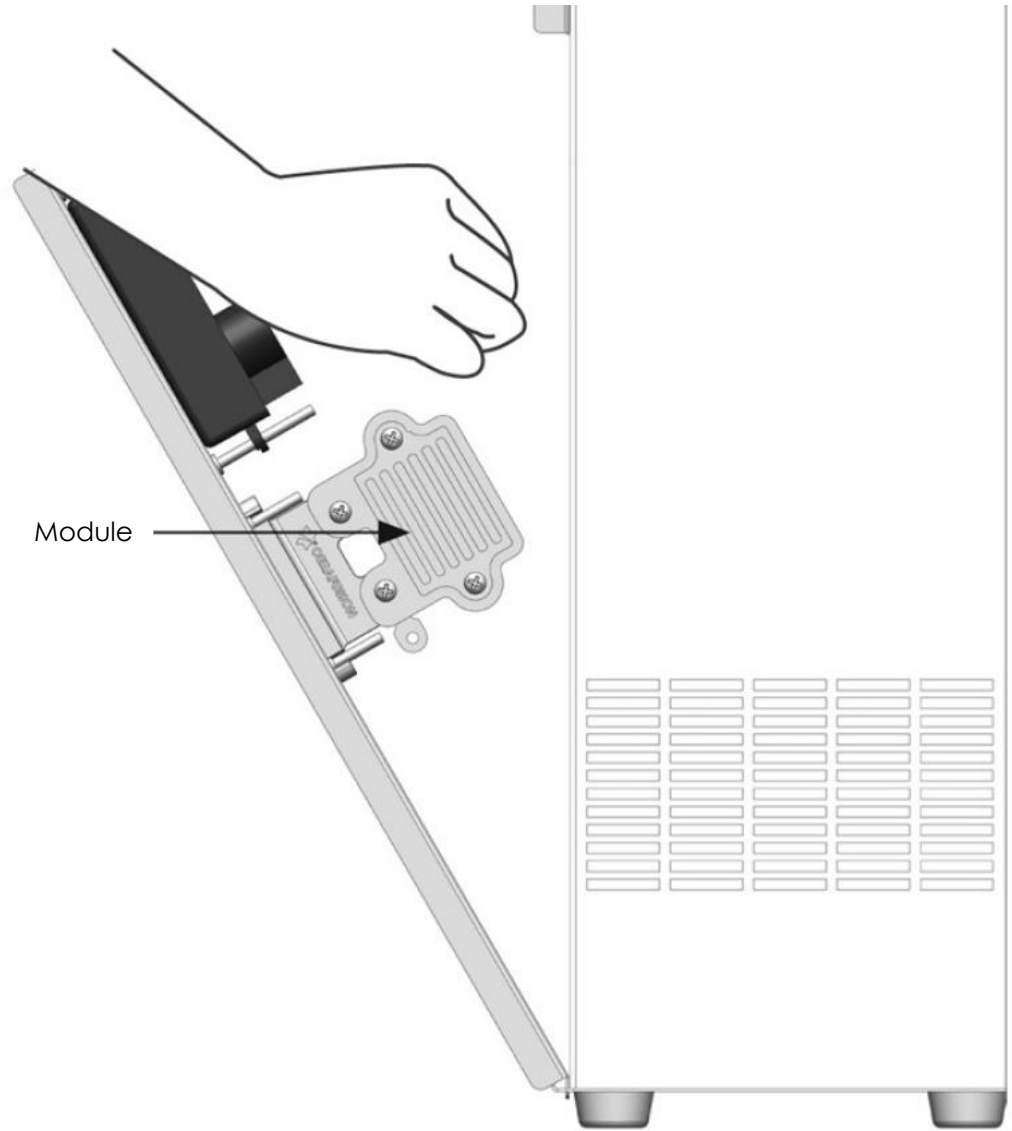
- i. Turn off the device's power point and ensure the LED light is not lighted up.
- ii. Remove the back cover screws, remove the back cover by pushing it up and remove the power cord cable.



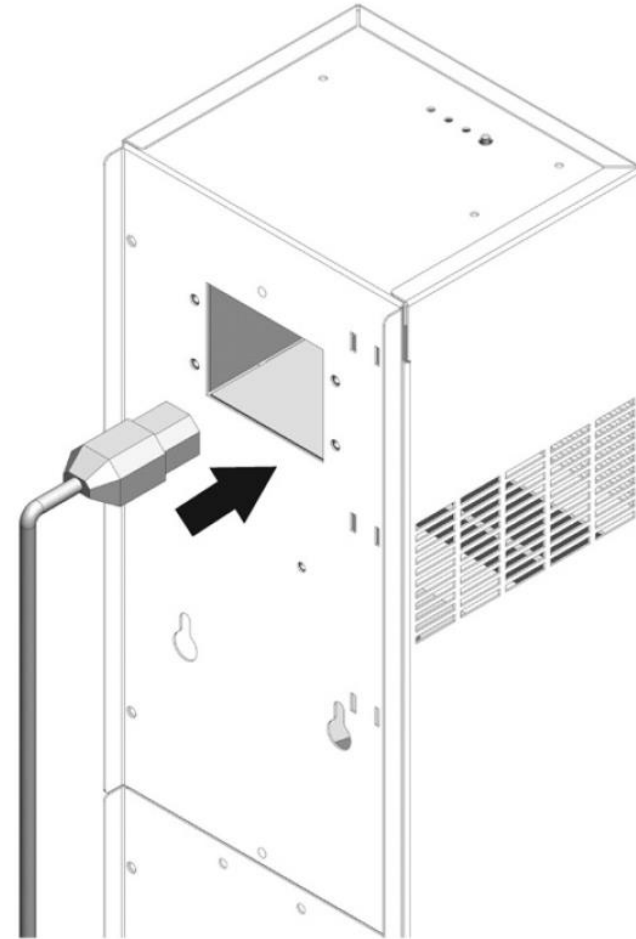
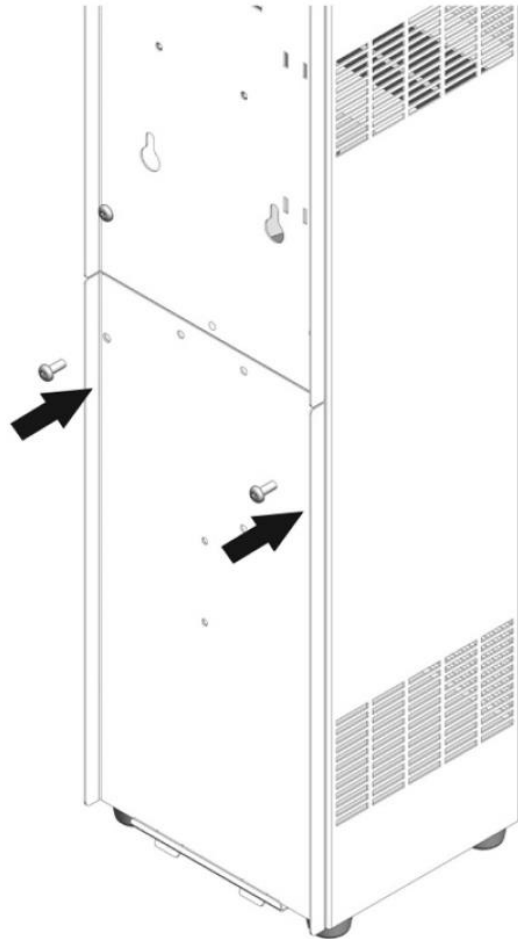
iii. Remove the screws at the bottom back plate and open the bottom back plate.



iv. Use a brush* to clean the module. After brushing, wipe with damp cloth. (*Brush is not provided)

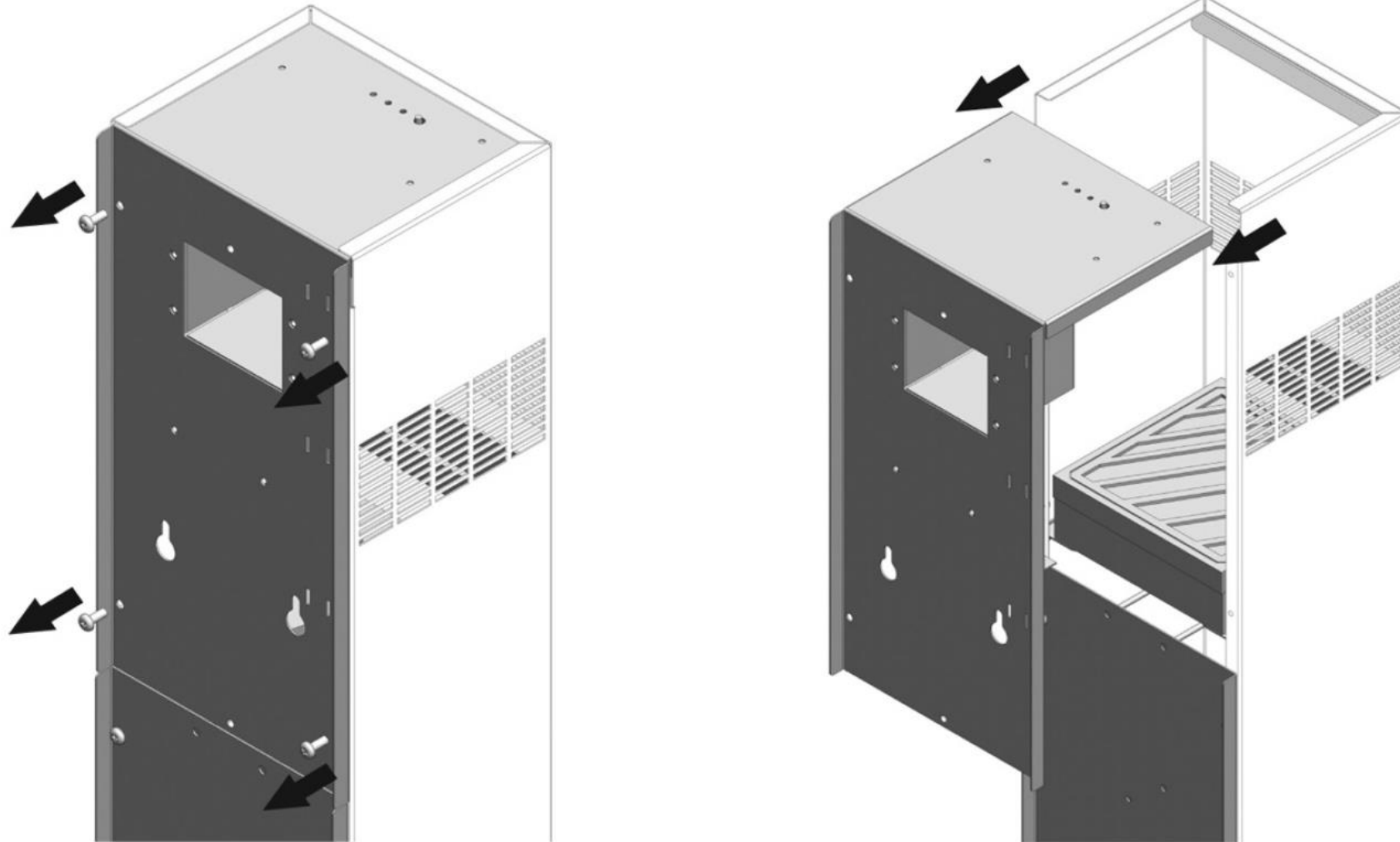


- v. Fasten the screws of the bottom back plate. Insert the power cord cable, back casing and plug it back to the power point.

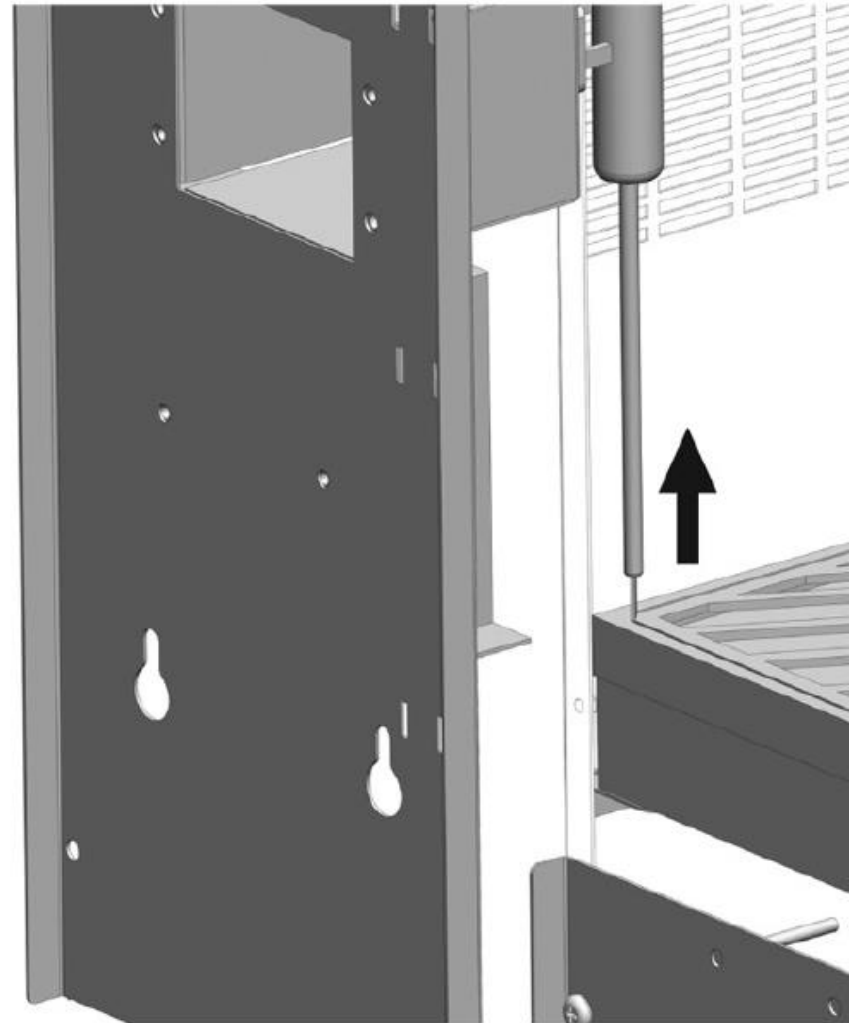


B. Cleaning of Filter

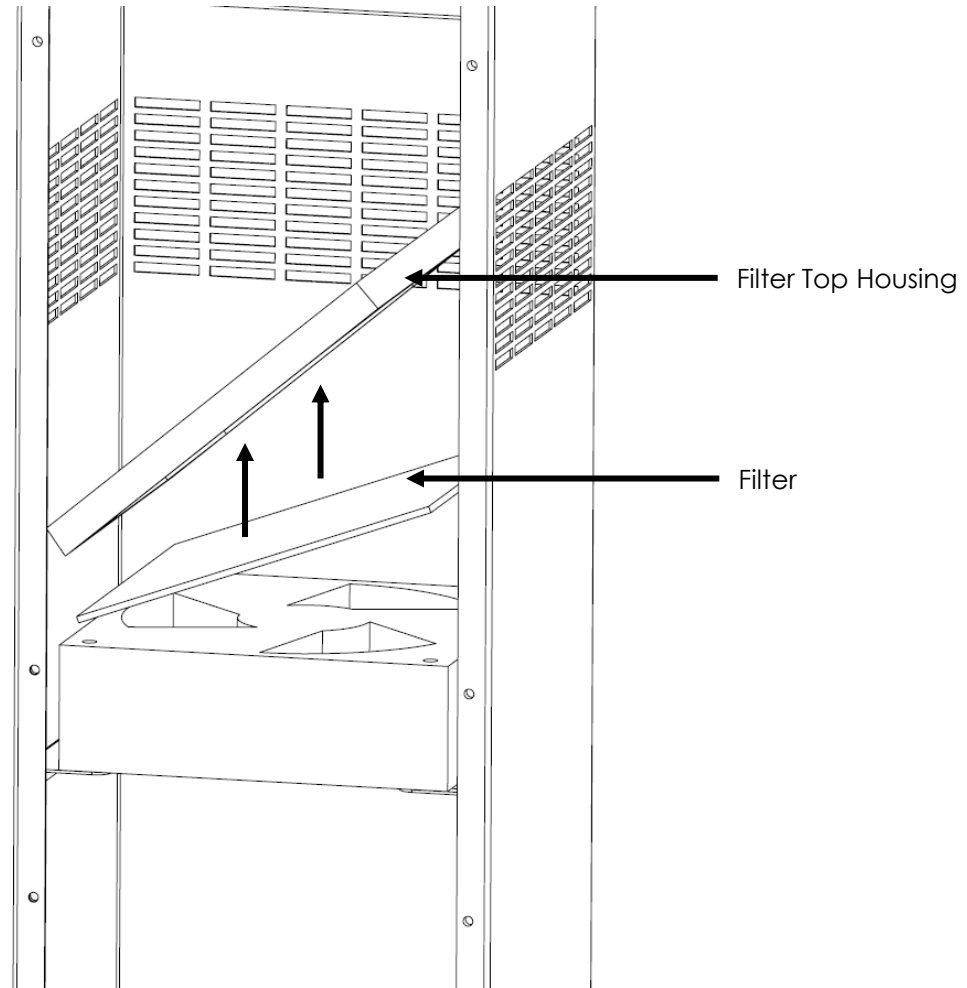
- i. Remove the screws at the top back plate and pull out the top black plate.



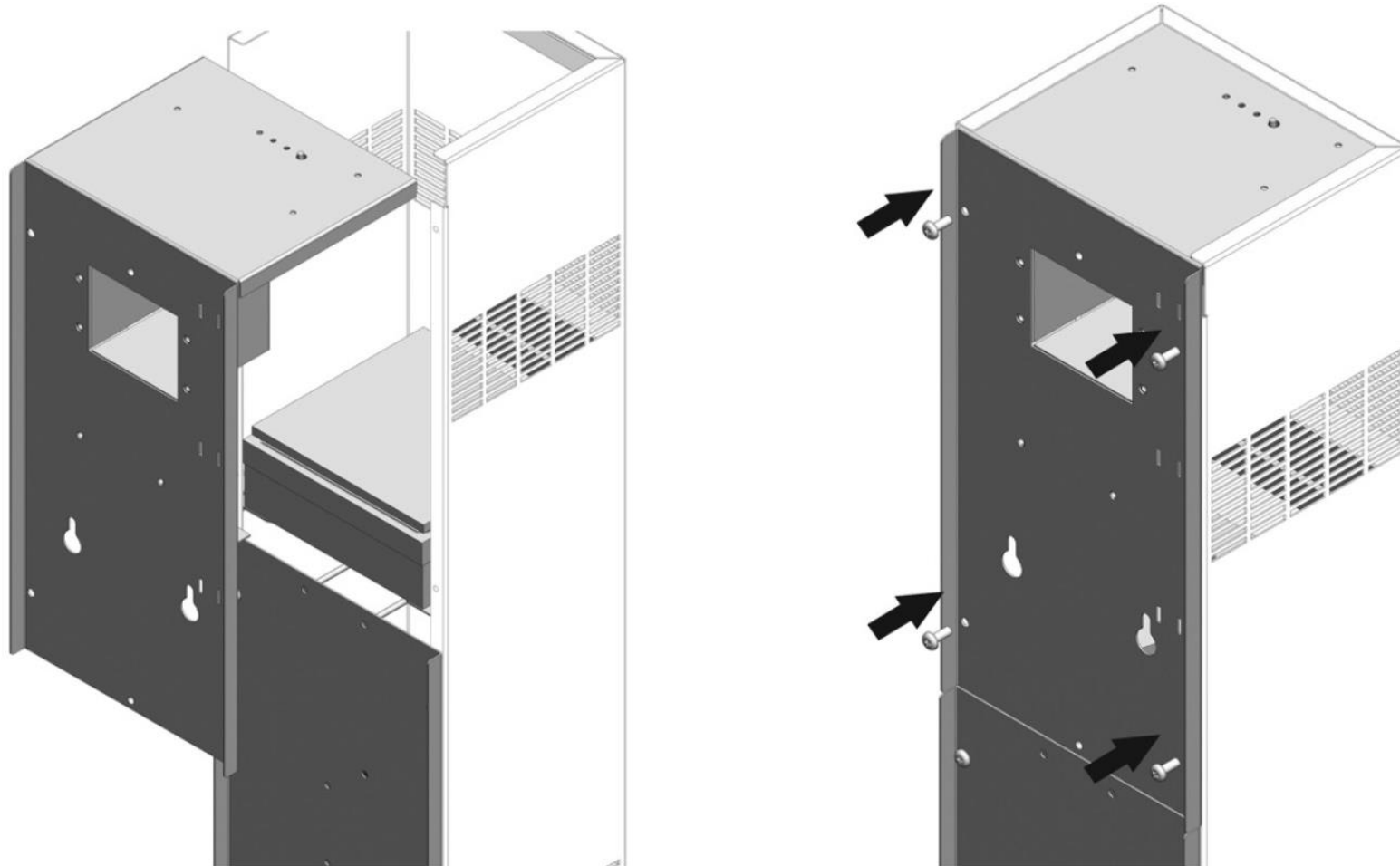
- ii. Remove the filter's top housing using a flat screwdriver at the slot provided.



iii. Remove the filter and wash. Dry the filter after washing.



- iv. Insert the filter back in place and reinstall the filter's top housing.
- v. Insert the top back plate back into the main housing and fasten screws.





2. Annual preventive maintenance for the Medklinn Air+Surface Sterilizers is recommended to ensure optimal performance, otherwise it may experience malfunction or possibly cause damage to internal components.

FOR ANNUAL PREVENTIVE MAINTENANCE ARRANGEMENTS, PLEASE CONTACT AN AUTHORIZED MEDKLINN SERVICE CENTRE.



*For more information, please login to **www.medklinn.com***